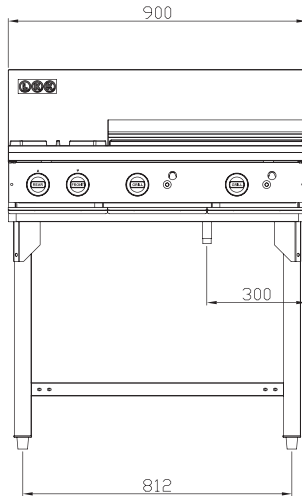
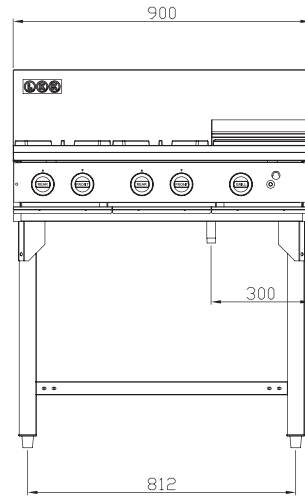


**LKKOB4C**



**LKKOB6B**



**LKKOB6C**

### Technical Specifications:

The installation of appliances must comply with the installation & ventilation requirements of AS/NZS5601.1, Australian Standard, "Gas Installations" any local Authority regulation and the Manufacturer's installation instructions.

**Warning: DO NOT** install LKK OB Series Ranges in marine environment such as on a boat or outdoors in sea breeze. Due to the salt in marine environment, it may cause unnecessary rusting to the appliance.

Inlet Connections: Gas 3/4" (20mm)

### Installation:

Gas point entry is 630mm from floor  
A regulator is supplied with the unit for each burner.  
Maxitrol, RV48 AGA#3088 (Natural Gas)  
Maxitrol, RV48 AGA#3088 (L.P.G)

To be installed by a certified plumber.

### Commissioning:

Upon installation, the installer MUST commission the regulator to the required pressure as stated on dataplate. Failure to do so will result in under performance of appliance & void in warranty.

### Trouble Shoot:

If any of the following problems persist, pilot not lighting, gas or water leak, please call LKK for more information. A gas **certificate of compliance on completion** of all gas installation work on LKK Food Equipment may be required to be sited upon carrying out warranty work. Unlicensed gas work is illegal and will not be covered under warranty. LKK reserves the right to report any illegal gas work.

