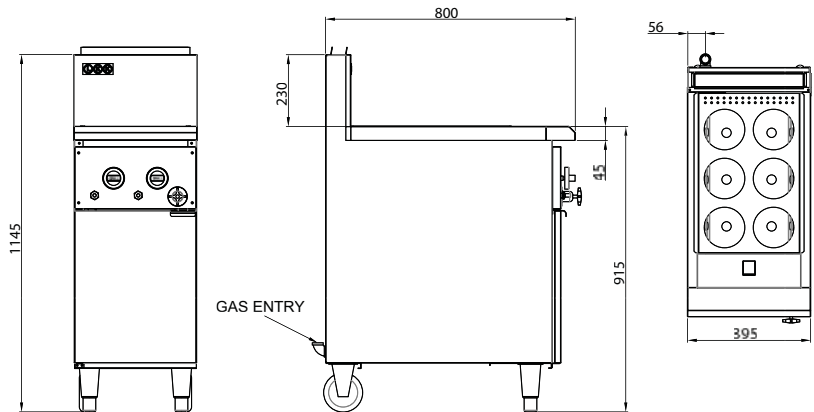


Noodle & Pasta Cooker



Features:

- IAPMO Gas & WaterMark certified.
- 25 Liter Capacity.
- Pilot & Piezo ignition.
- 304 Stainless steel tank.
- Flame failure safety device.
- 2 Powerful burners rated at 30MJ/h each.
- Casters at the back and adjustable bullet feet in front.
- Burner tubes carefully positioned across the vat for easy cleaning.
- Hidden front water spout equipped with a WaterMark Foreno quarter turn tap assembly.
- Overflow system at rear to maintain adequate water levels
- Modern modular design to suite our western range for a matching uniform kitchen look.



Specification

Model	Natural Gas	LP Gas	Dimensions (W x D x H)
LKKPC40	60MJ/h	60MJ/h	400mm x 800mm x 915mm (working height) Height including splashback is 1145mm

Accessories: 6x Noodle or Pasta Baskets (Specify on order) **Inlet:** Gas: 3/4" BSP Water: 1/2" Compression

• Specifications and design are subject to change without notice • Pictures are for illustrative purposes only • 2015 July



New Zealand Phone: (+64) 09 837 2960 Fax: (+64) 09 836 9168
(Head Office) 18 Paramount Drive, Henderson, Auckland
www.lkk.co.nz sales@lkk.co.nz

Australia Phone: 1300 655 715 Fax: (+61) 02 8587 0033
47 George St, Clyde Sydney, NSW 2142, Sydney
www.lkk.com.au sales@lkk.com.au

Authorised Retailer: